



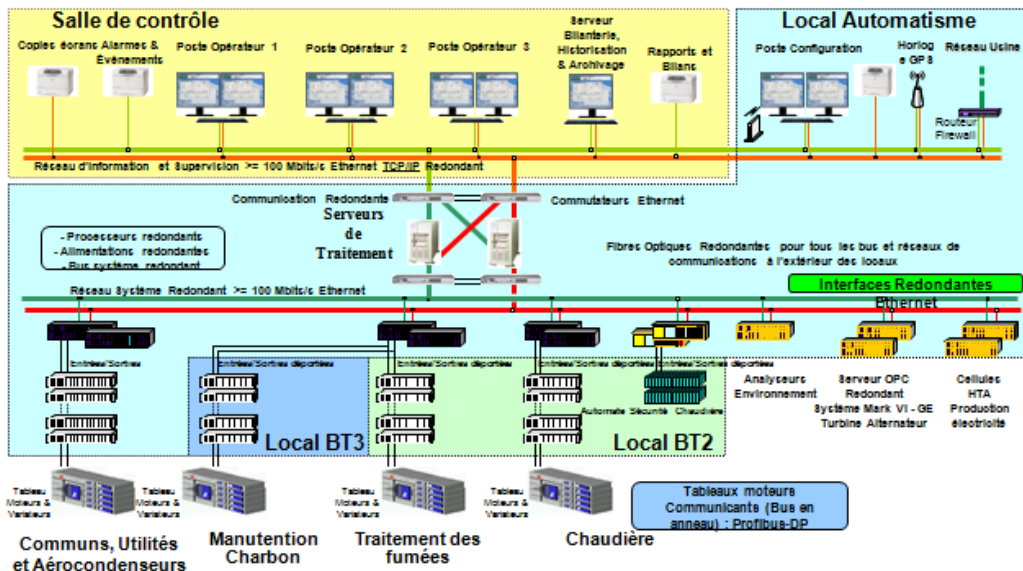
ACTIVITIES

SYSTEM DESIGN



Service Description:

- ✓ Architecture design & philosophy
- ✓ HMI design philosophy
- ✓ Cabling philosophy (Field Bus, Remote I/O...)
- ✓ I/O review
- ✓ Typical definition
- ✓ Process mapping
- ✓ Layout (Control room, Electrical / Instrumentation rooms)
- ✓ Hot / Cold transfer procedures
- ✓ Control room design and ergonomics
- ✓ Invitation to tender
- ✓ Technical & Economical comparison tables
- ✓ Inspection procedure
- ✓ TAT, FAT, IFAT, SAT procedures & participation





ACTIVITIES



SYSTEM DESIGN



References:

- ✓ New plant for lightweight corrugated medium, capacity 280 000t/y based on recycled fibre (Papeteries de Champagne – France)
- ✓ Extension of containerboard PM1 and speed increase from 400 to 600m/min (Europa&C – Spain)
- ✓ Capacity extension of RCF plant, complete rebuild of 2 paper machines (International Paper Etienne – France)
- ✓ Extension of UWF paper production line, 20 days shutdown (UPM KYMMENE – France)
- ✓ New production line for newsprint, capacity 300 000t/y based on recycled fibre (Holmen Paper Madrid, Spain)
- ✓ New De-inking line for graphic paper (Matussière & Forest – France)
- ✓ New complete tissue mill – PM8 project (Lucart – France)
- ✓ Relocation of a Plasterboard paper production line (RKTk – Ukraine)
- ✓ New RCF plant, complete rebuild of 1 paper machine (Saica France – France)
- ✓ Rebuilding of PM5 press section (Europa&C – France)
- ✓ New district heating plant – Biomass project (Cofely – France)
- ✓ New electrical power generation plant 38MW (Caraibes Energie – La Guadeloupe)
- ✓ Modification of Biomass boiler, new electricity generation, BEEP project (Elyo – France)
- ✓ New Biomass boiler and electricity generation, Biomass project (Tembec – France)